

# GRIP TOP DELINEATOR



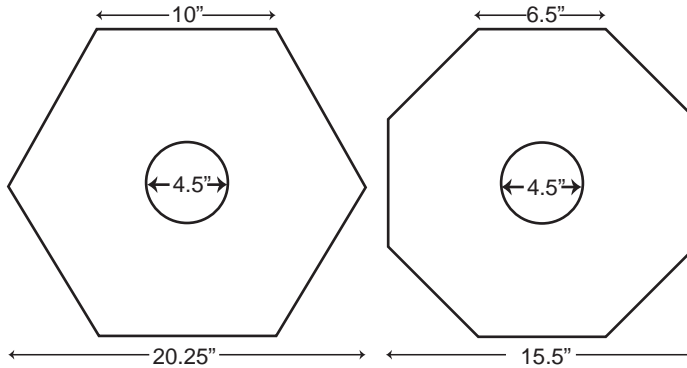
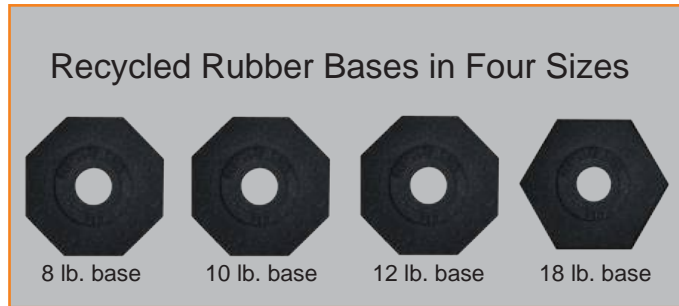
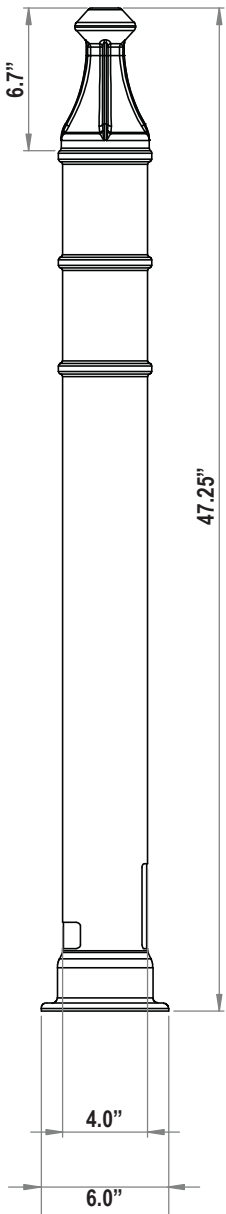
## Easy To Grip - Great For Cone Bars

- 42" H (47.25" with handle)
- Large, strong handle is easy to grip  
- quick placement and pick-up
- Orange, low density polyethylene
- Cone bar slips over top
- Recessed areas accept two bands of sheeting  
- protects retroreflective sheeting from rips and scratches
- Bright orange for visibility
- Flange on bottom grabs base for tight fit
- Recycled rubber bases, 8, 10, 12, and 18 lbs.
- MASH Accepted, Meets MUTCD Standards



**PLASTICADE®**

# GRIP TOP DELINEATOR



Thickness of base varies with weight



**Comfortable Grip Top Fits Gloved Hands!**

## Specs

Composition	Polyethylene
Weight	1.6 lbs.
Color	Orange
Post Diameter	4"
Reflective Bands	Available in white, all grades

## Bases

Hole	4.5" dia.
8 sided	16.75" W
6 sided	20.25" W

Weights	8 lb.
	10 lb.
	12 lb.
	18 lb.

Black rubber bases are made from recycled tires.

**TRAFFIC SAFETY WAREHOUSE**  
The Best in Safety for Less

TrafficSafetyWarehouse.com

**(847) 966-1018**

MADE IN THE USA