

# GEMSTONE™ VERTICAL PANEL

The most space efficient  
barricade on the street -  
in transit and in storage!

## New Stronger Flange! Stands Up To Extreme Heat and Intensive Use



- New Thicker Flange!  
- more plastic to hold onto base
- Increased rigidity from larger ribbing
- Eliminates splitting and cracking

- Designed to withstand repeated impacts with little or no damage to vehicles or unit
- Oversized handle with comfort grip  
- can be picked up easily, even with light attached
- Stackable with or without base
- Recessed panel for reflective sheeting, 8" W x 36" H
- Gemstone sidewall provides strength & durability
- Flashing light mounting receptacle
- Available in orange and white
- Solid recycled rubber bases with carrying handles come in two sizes: 20 lbs. and 30 lbs.
- MASH Accepted WZ-300, Meets MUTCD Standards



High Visibility



Gemstone sidewall  
design adds strength  
& durability

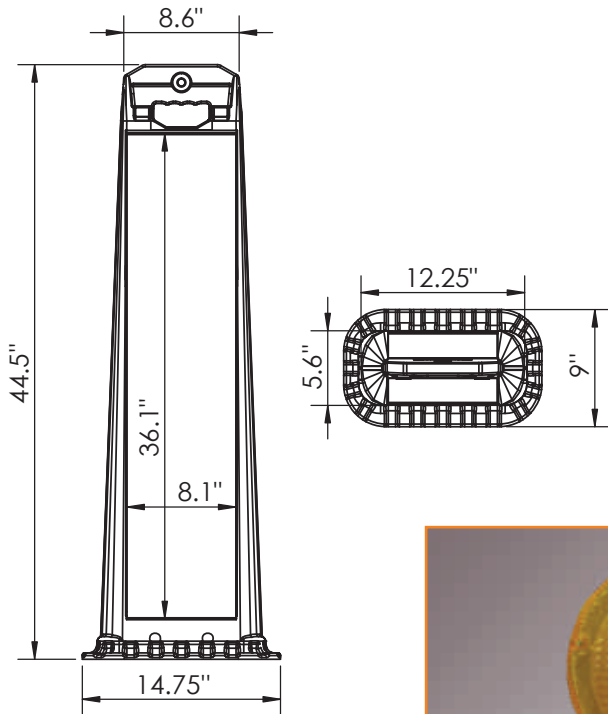
**PLASTICADE®**

Plasticade.com

# GEMSTONE™ VERTICAL PANEL

**Saves space in use, in transit and in storage!**

The most visible and space efficient barricades available, Gemstones take up half the space of traditional barricades, which means less storage space taken and a minimal footprint during use.



## Specs

Composition	Low Density Polyethylene
Dimensions	44.5"H x 14.75"W
Sheeting Area Dimension	8.1" x 36.1"
Color	Orange or White
Weight	4 lbs.
Reflective Sheeting	Available in all grades in these sizes: 8" x 24" 8" x 34" 8" x 36"

## Bases



**20 lb. base**



**30 lb. base**

Black rubber bases with carrying handles are made from recycled tires



**MADE IN THE USA**

**TRAFFIC SAFETY WAREHOUSE**  
The Best in Safety for Less

[TrafficSafetyWarehouse.com](http://TrafficSafetyWarehouse.com)

(847) 966-1018