

PRODUCT ID: 2888

Post

MODEL
P60B

DIMENSIONS
60" H x 6" W x 6" D (est. 7.118 lbs)

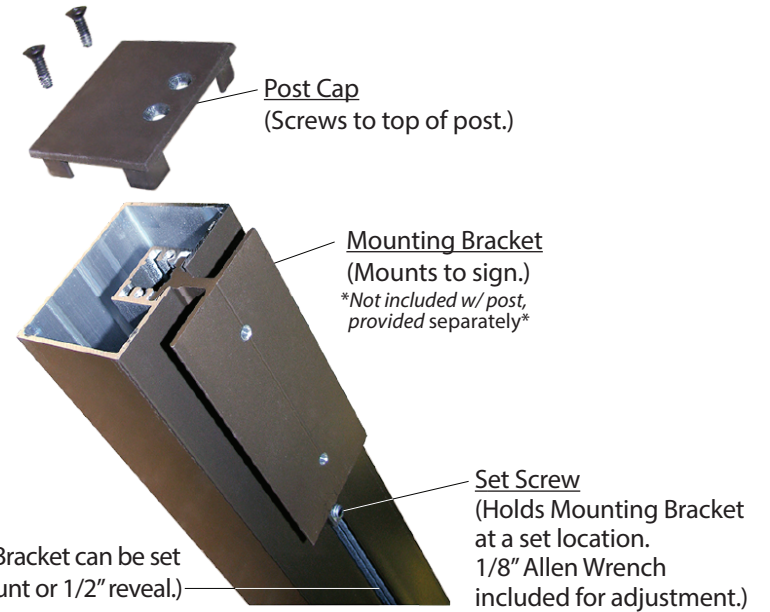
CONSTRUCTION

Finish: Duranodic Bronze

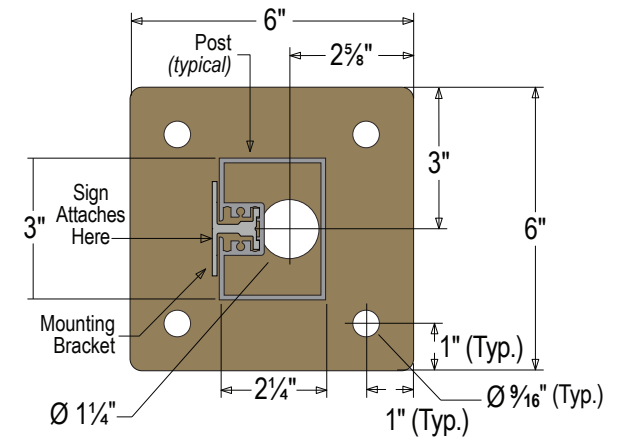
Material: 2 1/4" x 3" extruded aluminum post with one sign mounting channel, end cap and 6" sq. welded aluminum base plate. Base plate is 3/16" thick with pre-drilled anchoring holes. Sign mounting hardware and set screw for securing sign to post included.

Product View

NOTE: Sign image may not exactly represent the finished product. For illustration purposes only.



Baseplate Detail



TRAFFIC SAFETY WAREHOUSE
The Best in Safety for Less

TrafficSafetyWarehouse.com

(847) 966-1018